

Fluid dispenser



This fluid dispenser, with a volume of 1.6 dm³, can be used with oil at low pressure to feed, for example, the vacuum driven liquid sprayers (refer to pages 379-380). It is possible to top up and clean the dispenser. Vertical installation. Foot mountings included.

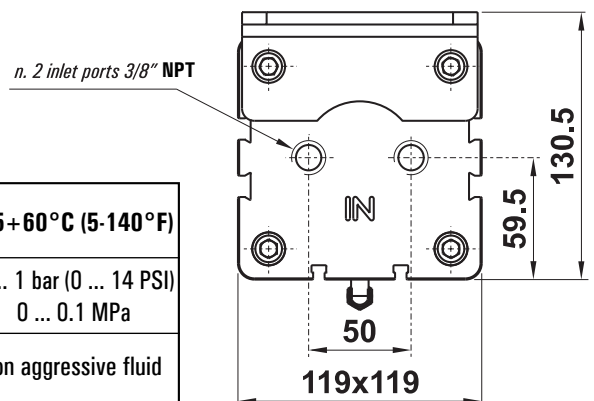
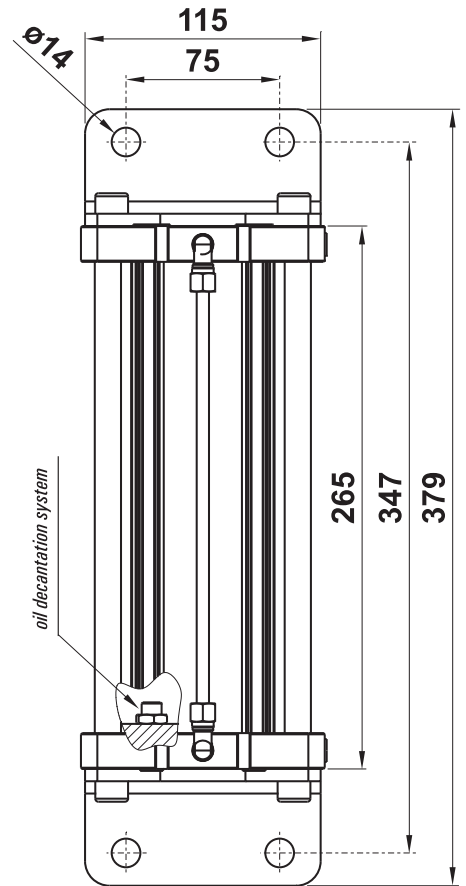
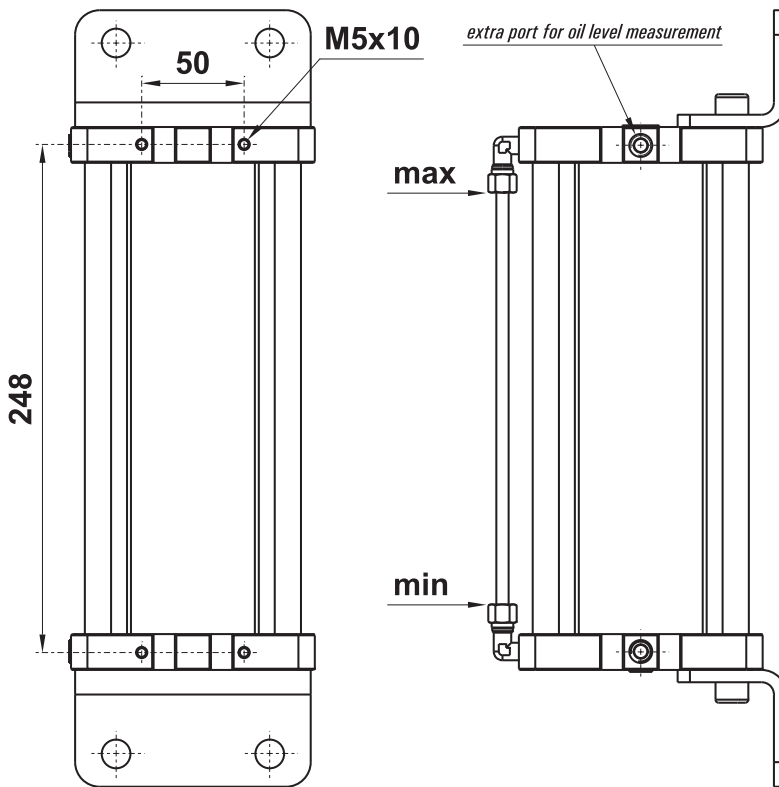
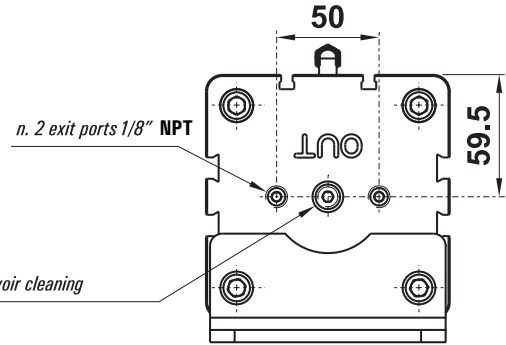
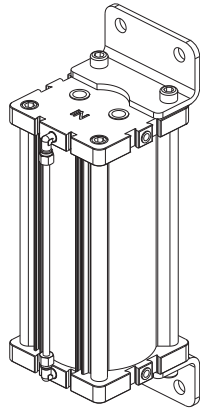
ORDER CODE

US21.130.4

Materials

Valve body: aluminium

11S Seals: NBR



Temperature range	-15+60°C (5-140°F)
Operating pressure	0 ... 1 bar (0 ... 14 PSI) 0 ... 0.1 MPa
Fluid	Hydraulic oil or other non aggressive fluid